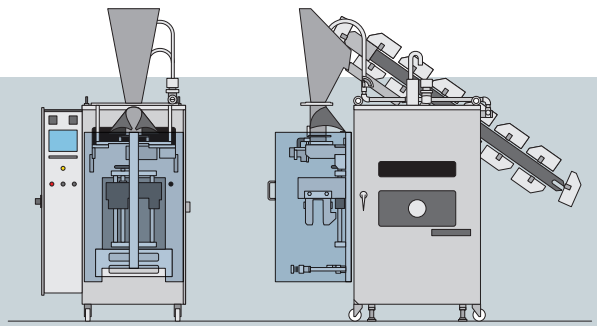


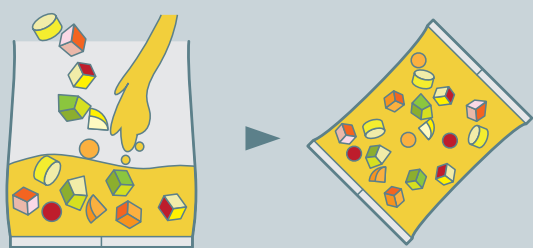
“Solids” & “Solids and liquid” filling

Lineup of two types of packaging machines.
 "Solid" filling, "2-part filling" that can fill
 "solid and liquid" simultaneously.

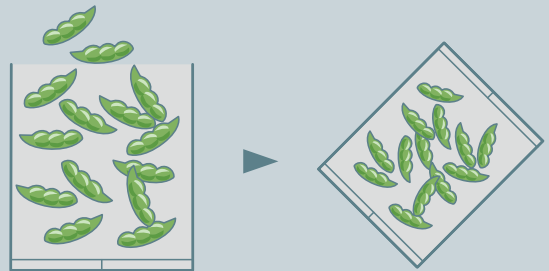
With Onpack's original 2-part filling method, "solid + liquid" can be filled simultaneously without headspace. Support wide range of applications, such as aloe and coco fruits and syrups, solid side dishes such as diced veggy and liquids. Automatic weighing and feeding devices such as bucket conveyors and computer scales can be docked.



2-part filling (solid + liquid)



Only solids



Onpack-2091SR

Volume : 1 - 10kg
 Capacity : Max.25ppm



Film width : Roll width 330 - 750mm
 Pitch 150 - 430mm
 Seal method : Single seal

It can be used with easy open film, making it easy to open and preventing foreign matter such as film sections.



Conveyor system layout

※ Packing speed and filling volume can be varied depending on the filling product and packaging material.

Onpack-204BF

Volume : 50g - 2kg
Capacity : 5 - 18ppm



Film width : Roll width 150 - 430mm
Pitch 100 - 300mm
Seal method : Single seal



This model is ideal for filling liquids / viscous product and solids, as well as "solids + liquids (2-part filling)" such as diced vegetable and soup. Supports a wide range of filling capacities from 50g up to 2kg.



Onpack-2030SR

Volume : 100 - 500g
Capacity : Max.60ppm



Film width : Roll width 280 - 430mm
Pitch 100 - 350mm
Seal method : Single seal (servo drive)



A high-speed machine equipped with a servo motor driven seal. Designed for easy docking with computer scales. Furthermore, it is possible to dock a film splicer that enables continuous production.



Onpack-2090SR

Volume : 100g - 1.2kg
Capacity : Max.60ppm



Film width : Roll width 280 - 530mm
Pitch 50 - 330mm
Seal method : Single seal (servo drive)



A high-speed machine that uses a servo motor driven seal mechanism. Considering the height that can be easily combined with an automatic weighing machine.



Onpack-2020BE

Volume : 100g - 1.2kg
Capacity : 5 - 18ppm



Film width : Roll width 150 - 350mm
Pitch 100 - 265mm
Seal method : Single seal



This model can handle a wide range of applications, from "liquids or solids" to "filling of solids and liquids together" such as pickles and side dishes with sauce. Easy to operate.

